



## Gen II Air Handling Solutions

200 to 30,000 CFM



*Quality meets affordable, modular design.*

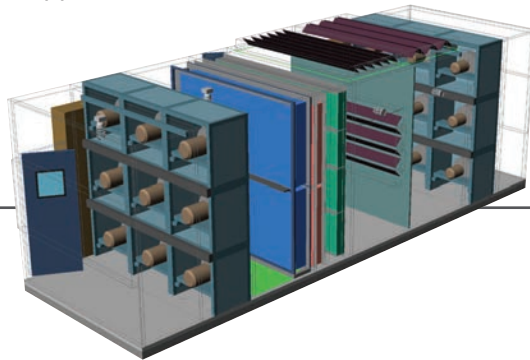


# Gen II Air Handling Solutions

200 to 30,000 CFM



The design and technology of the Gen II air handlers combines the quality and customization that the Huntair brand is known for, with the modular flexibility of the patented FANWALL TECHNOLOGY<sup>®</sup> features for air handling systems. The result is a new line of cost-effective air handlers for mid-sized applications.



The Gen II construction already used for Huntair FANWALL<sup>®</sup> systems offer unique properties for modular Knock-Down air handlers. Modules can be easily disconnected to allow units to be more easily installed at job sites where access or space is limited.

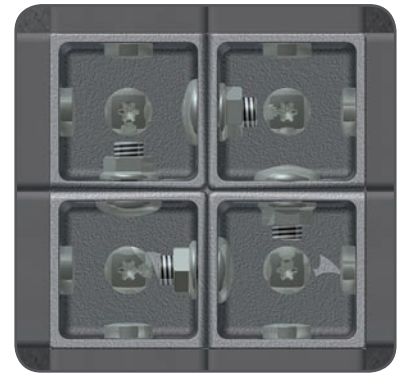
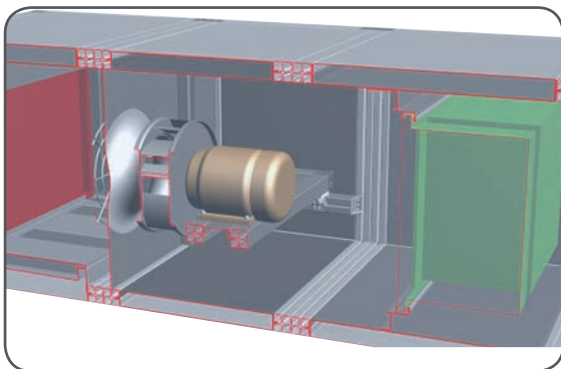


Figure One



Figure Two

*Note the configuration of the Carriage Bolts and Whiz nuts. This configuration allows for easier movement of tools within the corner pieces.*



Internal Structure

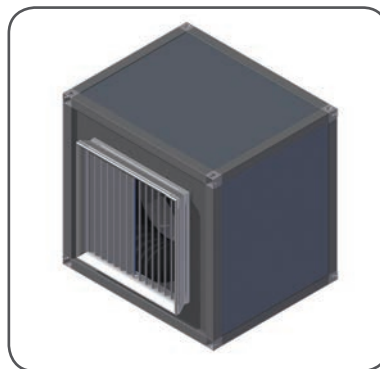


Figure Three



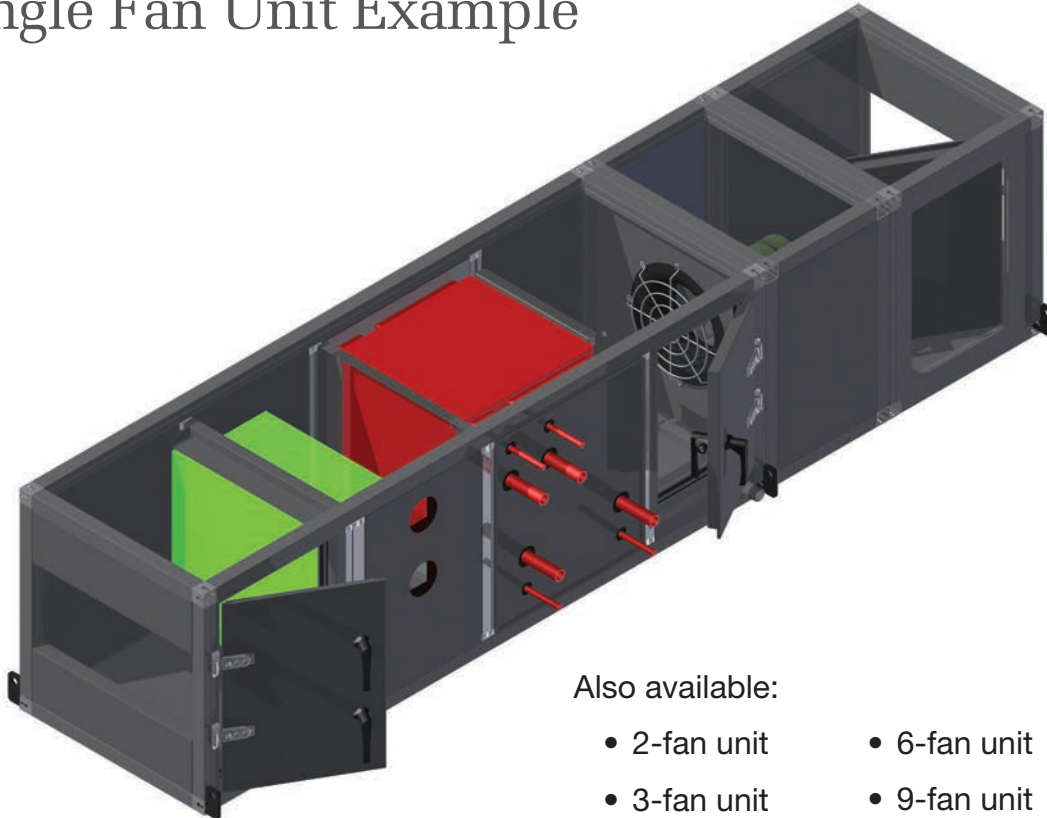
### Options Include:

- Control options for BMS integration or stand-alone PLC optimization.
- Integral suspension.
- Bases of aluminum or steel with channel or tube construction.
- Powder coated, galvanized steel, aluminum, or stainless steel panels.
- Heating / cooling coils.
- Pre, final, HEPA, or carbon filters.

<b>UNIT</b>	200 to 30,000 CFM
Application	Indoor and Outdoor
Certifications	ETL
<b>CABINET</b>	
Sizes	6 different modular sizes based on FANWALL® fan cubes
Frame	Gen II Aluminum Extrusion and Stainless Steel Corners
Panels	2" Double Wall
Liner Options	Galvanized Steel, Stainless Steel, Aluminum - Solid or Perforated
Insulation	Fiberglass 2"
Finish	Bare or Powder Coat Available
Base / Floor	Tube Base available (Alum. & Steel)
Leakage Ratings	SMACNA Class 3
<b>FANS</b>	FANWALL® TECHNOLOGY with direct-drive. FANWALL® wheel and cones. All offerings of wheels and motors.
Wheels	Multiple wheel diameters 10", 12", 14", 16", 18" and 20". AMCA Certified 12"-20" Aluminum and Polymer
Motors	Toshiba, Baldor, PM or ECMi motors in Incremental HP.
Balance	AMCA 204-96 Fan Category BV-5; Grade .55 (max .022" per second peak) Polymer wheels are BV-3.
<b>COILS</b>	AHRI Standard 410 Certified
Types	Chilled water (CW), Hot Water (HW), Steam (NF), and DX
Tube Options	1 to 12 rows
Casing	G90 Galvanized with Optional Stainless Steel
Drain Pan	16Ga Stainless Steel
<b>FILTERS</b>	Pre-filters, Final filters, HEPA, Carbon. Side-load, upstream load optional.
<b>ELECTRICAL OPTIONS</b>	Lights, receptacles, VFD's, FANWALL® Motor Overload Panel (MOP), Airflow Totalization, or Optimization
<b>MODULE OPTIONS</b>	Mixing Box / Plenum, FANWALL®, Coil, Filter, Roof curb. Consult factory for additional options.



# Single Fan Unit Example



Also available:

- 2-fan unit
- 3-fan unit
- 4-fan unit
- 6-fan unit
- 9-fan unit

## Cabinet Size Capacity (CFM)

FPM	184	200	225	250	275	300	325	350	375	400	425	450	475	500
1 Fan	1,000	1,089	1,225	1,361	1,497	1,633	1,769	1,906	2,042	2,178	2,314	2,450	2,586	2,722
2 Fan	2,143	2,333	2,625	2,917	3,208	3,500	3,792	4,083	4,375	4,667	4,958	5,250	5,542	5,833
3 Fan	3,286	3,578	4,025	4,472	4,919	5,367	5,814	6,261	6,708	7,156	7,603	8,050	8,497	8,944
4 Fan	4,592	5,000	5,625	6,250	6,875	7,500	8,125	8,750	9,375	10,000	10,625	11,250	11,875	12,500
6 Fan	7,041	7,667	8,625	9,583	10,542	11,500	12,458	13,417	14,375	15,333	16,292	17,250	18,208	19,167
9 Fan	10,796	11,756	13,225	14,694	16,164	17,633	19,103	20,572	22,042	23,511	24,981	26,450	27,919	29,389

Huntair is a brand of Nortek Air Solutions, a subsidiary of Nortek, Inc. FANWALL TECHNOLOGY, FANWALL and Huntair are registered trademarks of Nortek Air Solutions, LLC. Since Nortek Air Solutions has a policy of continuing product improvement, we reserve the right to change designs without notice. Units are sold pursuant to our Terms and Conditions and Warranties published and available on our website, [www.nortekair.com](http://www.nortekair.com). Nortek Air Solutions patents are listed on [www.nortekair.com/patents](http://www.nortekair.com/patents).



[www.nortekair.com](http://www.nortekair.com)

©2016 Nortek Air Solutions, LLC  
HUNT-AHU-SB-7  
August 2016

