



**CLEANPAK[™] Cleanroom
Ceiling Grid Systems**

and Fan Filter Units



CLEAN-TRAK® 2.6 FLUSH GRID

Laminar Flow Modular Welded Ceiling Grids

Factory fabricated. Complete at our factory, Clean-Trak ceiling modules include lighting, lamps, ballasts, lenses, fire protection and pre-wired particle probes. Installation takes a fraction of the time, manpower and cost when compared to constructing a conventional stick-built system.

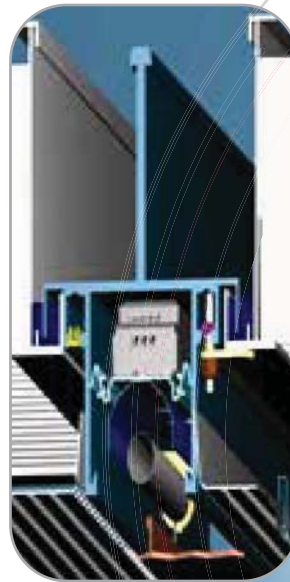
Bottom Load

- Powder-coat aluminum or ss finishes
- Integrated flush lighting
- Gel knife edge facing downward
- Gel is poured into the filter housing
- Utilizes hepa filters and/or fan filter units
- Cleanscreens

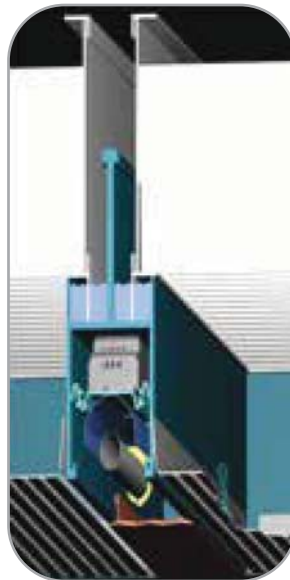
Top Load

- Gasket or gel grid
- Integrated flush lighting
- Lower cost
- Powder-coat aluminum finish
- Cleanscreens

Bottom Load



Top Load



Gasketed Ceiling Grid Systems

Ease of Installation

- Few piece parts
- Fast assembly

Allows Mounting of Components from Room Side

- Wall head tracks
- Isolation shields
- Tear drop lights

Accommodates

- Lighting troffers
- Ducted filter modules
- Blank panels
- Return air grilles
- Fan filter units



FAN FILTER UNITS

Laminar Flow

Our FFUs reduce operating costs and provide an unprecedented amount of monitoring and control features for seamless fab operation. Nortek Air Solutions CLEANPAK™'s Fan Filter Units incorporate a highly efficient backward curved plenum fan with a high-efficiency brushless DC motor.

CPFFU – AC1 – 2X4 (AC Type)

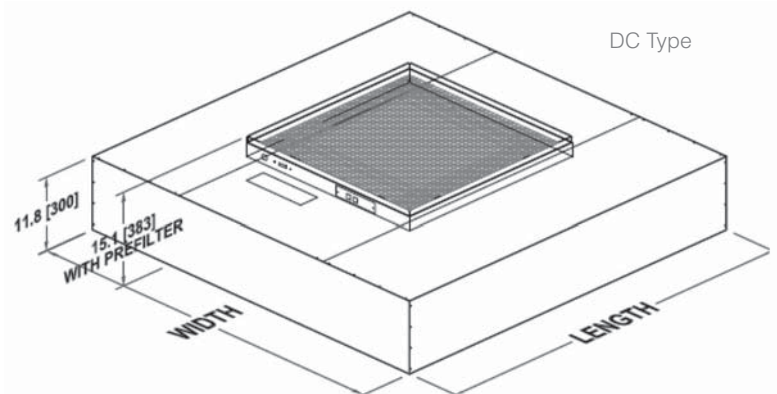
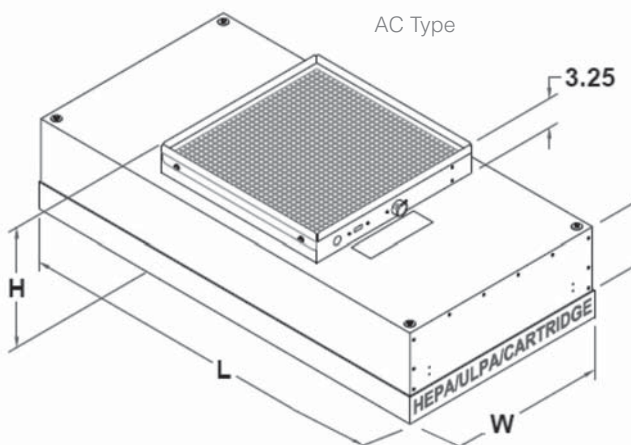
- 2x4, 2x3, 2x2 Nominal Sizes
- HEPA / ULPA Filters
- 120v / 277v
- Pre-filter mounted on top (optional)
- Room side replaceable housing (optional)
- Triac Type Manual Speed Control
- 6 foot flexible cord with plug for 120v units
- 277v units to be hard – wired in the field
- Mounting Options; Flush Light Grid, 2" T- Grid, or Drywall Ceilings

CPFFU – DC - EB – 2X4 (DC Type)

- 2x4, 2x3, 2x2 Nominal Sizes
- HEPA / ULPA Filters
- 208v / 277v
- Pre-Filter mounted on top (optional)
- Room side replaceable housing (optional)

Control Options

- Local Manual Speed Control
- MODBus RTU with control console (DC-EB Digital Control)
- MODBus RTU for direct control from building management system
- Mounting Options; Flush Light Grid, 2" T-Grid, or Drywall Ceilings





Advancing Clean Environments - From Concept to Completion

Nortek Air Solutions CLEANPAK™ continues to advance all standards of clean environments by controlling the full process of cleanroom development, from design concept to project completion. By responding to industry-specific requirements, our cleanrooms are setting precedents for the microtechnology, semiconductor, biotechnology and pharmaceutical industries. Being responsive to customer needs with strong support while maintaining active engagement in research and development has placed us in the forefront of cleanroom products and systems. Creating the right solution for your critical environment begins with discussing your specific requirements, identifying the challenges, designing a solution and ultimately delivering a custom-engineered package that meets all your unique needs. We welcome the opportunity to serve your cleanroom requirements. For more information, or to explore solutions for your application, contact your local CLEANPAK representative or visit www.nortekair.com.

Products may be protected by one or more of the following US patents: 5,613,759; 5,794,397; 5,014,608; 5,161,941; 5,088,886; 5,192,348; 5,207,614; 5,454,756; 5,586,861; 5,628,581; 5,681,143; 7,137,775; 7,179,046; 7,527,468; 7,597,534. Patents pending. To see patents related to products in this brochure please visit www.nortekair.com/patents.

Specifications and illustrations subject to change without notice and without incurring obligation.

Clean-Trak® is a registered trademark of Nortek Air Solutions, LLC.
CLEANPAK™ is a trademark of Nortek Air Solutions, LLC.